



**Advantages:**

- low power consumption
- aesthetic profile
- power supply 24V DC
- available colours: cool white, neutral white, warm white
- high quality diodes XLamp of CREE Lighting
- long lifetime > 50 000 hours
- easy and comfortable installation

**Applications:**

- general lighting
- indoor lighting
- descended ceilings and cornices illumination
- museum, exhibition and shop windows lighting
- kitchen lighting
- lacunar illumination

**Technical data<sup>1)</sup>**

LED Fixture	Colour	Number of LEDs	Power type	Operating voltage [V] typ.	Operating current [A] typ.	Power [W] typ.	Viewing angle <sup>2)</sup> [°]	CCT [K] typ.	Luminous flux [lm] typ.
LEDIS 5XP-E CW1	Cool white	5	DC Voltage	24	0,32	7,5	115	6500	562
LEDIS 5XP-E CW2	Cool white	5	DC Voltage	24	0,32	7,5	115	6500	491
LEDIS 5XP-E NW	Neutral white	5	DC Voltage	24	0,32	7,5	115	4300	491
LEDIS 5XP-E WW	Warm white	5	DC Voltage	24	0,32	7,5	115	3000	422

<sup>1)</sup> All data concern particular LED fixture. Values of each parameters are average and in particular copy they can be differ than in the table above.

<sup>2)</sup> Maximum angle at which LED intensity value is 50% of maximum intensity, observed at mechanical axis of LED.

**Qualities**

- five strong power diodes, 15 cm from each other
- fixtures optimized to switching power supply, voltage 24V DC
- possibility to join in series without additional wires (max 6 fixtures in one series)
- a built-in DC-DC converter – a guarantee of optimal current supply
- optional regulation of brightness with signal 0-10V
- the fixture is made of a profile in size of 15,2x6,2mm, 45cm long
- optional profile of 90 or 180cm long (corresponds to 2 or 4 strips)
- the profile is made of anodized aluminium – silver colour
- IP code: IP42

## Absolute maximum ratings<sup>1)</sup>

LED Fixture	Operating temperature [°C]		Operating voltage [V DC]		Reverse voltage [V]
	min	max	min	max	max
LEDIS 5XP-E CW1	-20	40	20	28	-40
LEDIS 5XP-E CW2	-20	40	20	28	-40
LEDIS 5XP-E NW	-20	40	20	28	-40
LEDIS 5XP-E WW	-20	40	20	28	-40

<sup>1)</sup> Table of physical work parameters, that must not be exceeded because of possibility of lifetime reduction or permanent damage of LED module.

## Drawing and mechanical dimensions

Shape: strip  
 Dimensions: length 450mm, width 15,2mm, distance between LEDs - 90mm  
 Height: 6,2mm

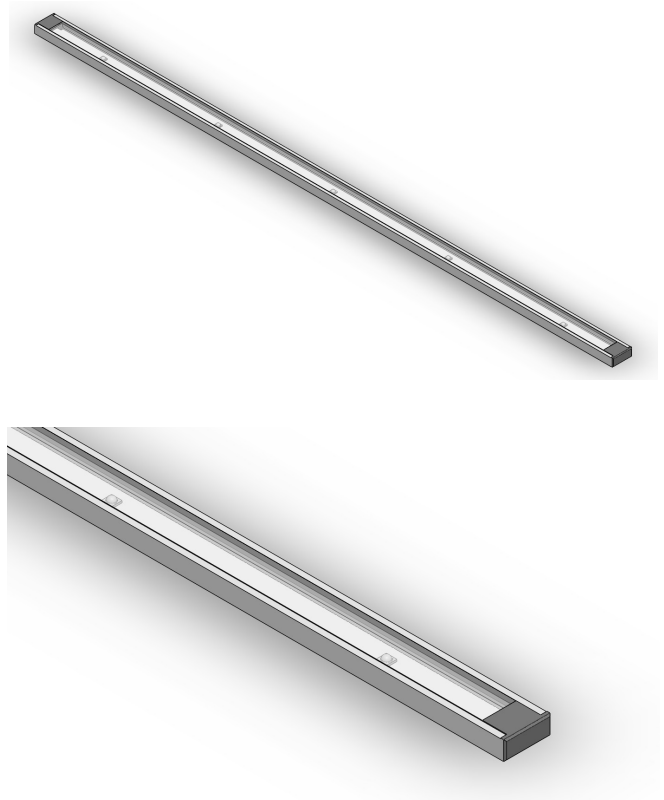
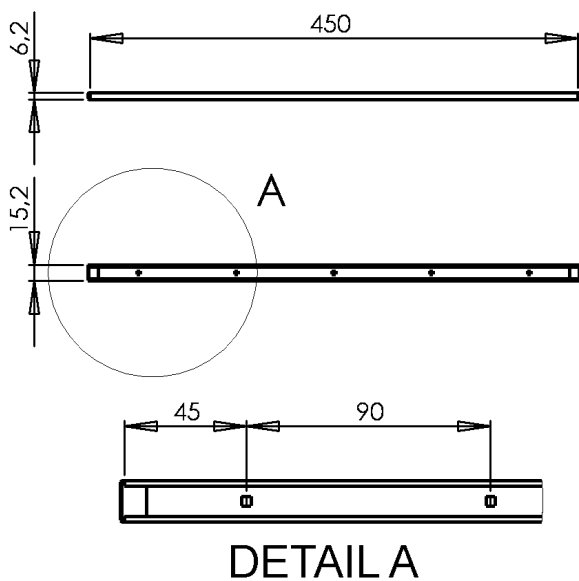


Fig. 1. LEDIS 5XP fixture (dimensions in mm).

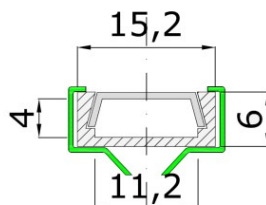


Fig. 2. Optional LEDIS fixture holder (dimensions in mm).

## Safety information

1. Before installation it is necessary to read the service manual – attached to the product and to be found on LEDIKO website.
2. LED fixtures must not be weight mechanically to work safe.
3. It is necessary to use stabilized constant voltage power supplies (24V DC) with short-circuit, overcharge and thermal protection.
4. Installation of fixtures (with driving circuits) must be done according to all valid electric and safety standards. It is necessary to switch off power supply voltage before changing electric connections.
5. LEDIS 5XP fixtures are not adapted to be used outdoor or in conditions that may cause damage to electric parts (e.g. low or high temperature, humidity, inappropriate chemical conditions). LEDIKO products cannot be subject to complaint on the basis of damage caused by humidity, temperature or chemical conditions.
6. Inside the LED fixture there are sensitive electric elements. It is impossible to make any changes to the electric elements. Opening of the case may cause damage to the fixture which cannot be subject to complaint.

## Montage information

1. It is advisable to use VHB double-sided foam tape or special holders.
2. Power supply is connected with two wires: silver (-) and copper (+). The incoming wire is 60cm long and the outcoming wire is 20 cm long.
3. If the montage wires are too long it is possible to shorten them carefully not to cause a short-circuit. If the outcoming wire is not used (additional fixture is not attached) it is necessary to insulate it.
4. Before switching power on it is required to check connections and make sure that power supply has proper electric parameters. The fixture has protection from reverse polarity – when voltage supply connection is incorrect the fixture does not work.
5. The service manual attached to the product and to be found on LEDIKO website includes fixture montage details.

## Order particulars

LED fixture	Colour	CCT	Luminous flux
LEDIS 5XP-E CW1	Cool white	6500 K	562 lm
LEDIS 5XP-E CW2	Cool white	6500 K	491 lm
LEDIS 5XP-E NW	Neutral white	4300 K	491 lm
LEDIS 5XP-E WW	Warm white	3000 K	422 lm

### When placing an order please state:

- 1) Name and surname,
- 2) Company name,
- 3) Company Tax Identification Number,
- 4) Address of company or private address for individual customers,
- 5) City and post code,
- 6) Index of elements: number of elements, product code,
- 7) Sending address (if different from the company address).

**We encourage you to contact us and place orders.**

**Phone: +48 71 79 85 785**

[www.lediko.com](http://www.lediko.com)

Notice: "LEDIKO Walendowski i Wilanowski" Sp.J. stipulates that the information in this document is subject to change without notice.