

picture will be available soon

Advantages:

- high quality power LED of CREE Lighting,
- possibility of connecting stripes in chains,
- safe low operating voltage,
- easy installation,
- three types of CCT: 3000, 4300 and 6500 K,
- long lifetime > 50 000 hours,
- supply with 12V DC,

Applications:

- furniture and displays illumination,
- indoor lighting,
- general illumination,
- decorative and accenting illumination.
- museum lighting.

Technical Data¹⁾

LED Strip	Colour	Number of LEDs	Supply	Voltage value [V] typ.	Current value [A] typ.	Typical power [W] typ.	Viewing angle ²⁾ [°]	CCT [K] typ.	Luminous flux [lm] typ.
LEDIS 3XP-C CW	Cool white	3	DC Voltage	12	0,35	4,2	110	6500	281
LEDIS 3XP-C NW	Natural white	3	DC Voltage	12	0,35	4,2	110	4300	221
LEDIS 3XP-C WW	Warm white	3	DC Voltage	12	0,35	4,2	110	3000	201

¹⁾ All data concern particular module. Values of each parameters are average values and in particular copy they can be differ than in the table above.

²⁾ Maximum angle at which LED intensity value is 50% of maximum intensity, observed at mechanical axis of LED.

Main features

- protection against wrong bias (+ -)
- in additional order, also are available white XP-E, XP-G and colour XP-E, XP-C
- control possibility with stabilized power supply of value 12 V DC,
- parallel connecting with no need for extra wires, max 6 strips in chain,
- excellent thermal flow, thermal overflow protection
- light is emitting orthogonally to plate surface.
- distance between LEDs is 15 cm.

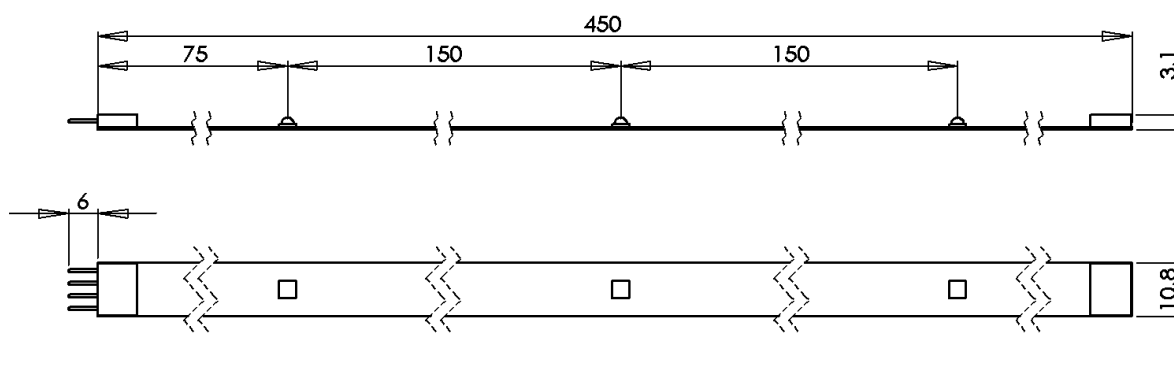
Tolerated work parameters¹⁾

LED Strip	Work temperature [°C]		Supply voltage [V DC]		Reverse voltage [V]
	min	max	min	max	max
LEDIS 3XP-C CW	-20	40	11	13	40
LEDIS 3XP-C NW	-20	40	11	13	40
LEDIS 3XP-C WW	-20	40	11	13	40

¹⁾ Table of physical work parameters, that must not be exceeded because of possibility of lifetime reduction or permanent damage of LED module.

Drawing and mechanical dimensions

Shape: strip
 Dimension: lenght 450mm (470mm with wire and connector), width 10,8mm, distance between LEDs - 150mm
 Height: max 3,1mm



Pic. 1. LEDIS 3XP Technical drawing (dimension in mm).



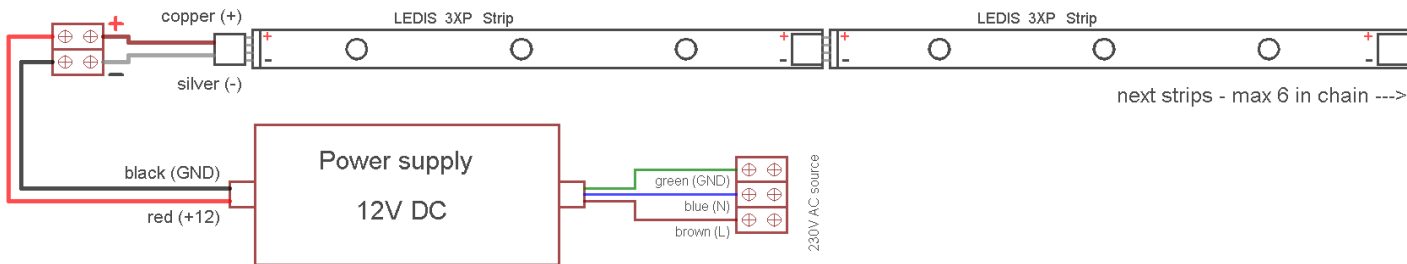
Safety information:

1. Stripes must not be weigh down mechanically to work safe.
2. Montage elements must not destroy LEDs or paths on the plate.
3. Stripes have no short circuit, overcharge and thermal protection.
It is absolutely necessary for LED power circuits to have such protections.
4. Stripes installation (with driving circuits) must be in accordance with all electric and safe standards.
5. It is necessary to keep proper polarization of driving voltages. In other case, LEDs will not work.
6. During installation it is important to remember about influence of electrostatic charge. Before installation charges should be neutralized by touching metal parts of grounded elements (e.g. copper pipe, tap, etc.).
7. It is recommended to keep chip temperature below 85°C. In order to draw heat away from LED junction external radiators can be used. Parameters and dimensions of radiator can be computed using proper equations. Each application, depending on number of LEDs, power, montage and many other parameters, need to be process separately. LEDIKO provides optimal solutions for each customer.
8. LEDs have not corrosion resistant elements. User should provide safe work conditions of circuit. LEDIKO products do not fall within complaint on the basis of damages caused by humidity and chemical conditions.
9. LEDIKO stripes are not appropriate to use direct outdoor or in conditions that may damage electric parts (e.g. low or high temperature, humidity, chemical conditions). In such applications it is necessary to use special package.
10. Package should fulfil such requirements:
 - optical transparency from light emitted side,
 - UV protection (in case of sun light exposure),
 - drawing heat away, to keep safe work of circuit,
 - heat produced by LED resistance,
 - low transmission in all climate conditions.

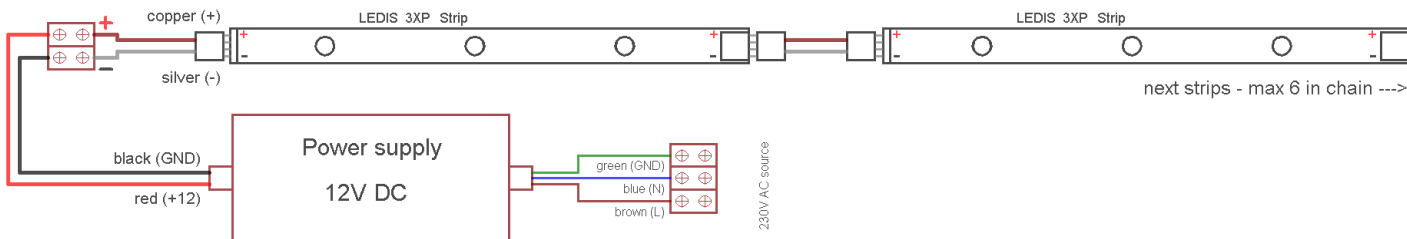
Mounting directions:

1. LED stripes must be connected to power supply in accordance with all electric and safe standards. Before switching power on it is always required to check all the electric connections and make sure that power supply has proper electric parameters.
2. It is very important to mount stripe to the element which helps to draw heat away (e.g. aluminium plate, radiator). In case of montage using screws, some separators (silicone, mica, silicone paste or other material that conduct heat) are needed between radiator and substrate of the stripe. Such a separator needs to be used, because it helps to transfer heat from the substrate to the radiator and makes LED work conditions better. Stripe can also be mount to the radiator using special glue or tape, which conduct heat.
3. Depends on the power of power supply it is important to use radiator with proper thermal resistance. When power supply is 1W per LED, radiator should have maximum thermal resistance at a level of 20K/W, it corresponds e.g. aluminium sheet, 2 mm thickness and 225cm² area (e.g. 5cm side flat bar).
4. Mount with two M3 screws (hole diameter $\varnothing 3,1\text{mm}$), head diameter up to 6 mm. Between plate with LEDs and surface where stripe is mounted should be effective thermal contact. Stripe can also be mount to the surfacer using special glue or tape, which conduct heat.
5. Connection is made by two wires (in serial or parallel connection) or by three wires in serial – parallel connection. There are some examples below.

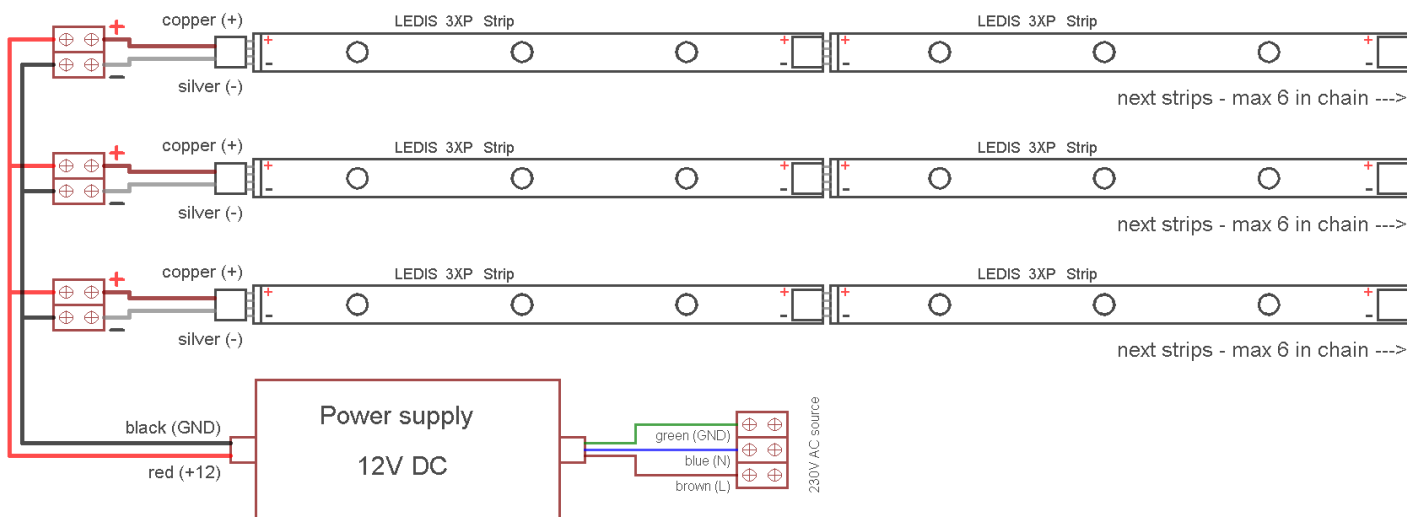
Connections details:



Pic. 2. Chain connection to 12V DC power supply.



Pic. 3. Chain connection to 12V DC power supply with wires between strips.



Rys. 4. Multiply chain connection to 12V DC power supply.

Order particulars

LED Strip	Colour	Colour Coefficient Temperature	Typical luminous flux
LEDIS 3XP-C CW	Cool white	6500 K	281 lm
LEDIS 3XP-C NW	Natural white	4300 K	221 lm
LEDIS 3XP-C WW	Warm white	3000 K	201 lm

Wires for supply	Type	Isolation colour	Wires signatures
0,5m wire with connector	flat 2 x 0,75mm ² - 0,5m	transparent	copper (+), silver (-)
1m wire with connector	flat 2 x 0,75mm ² - 1m	transparent	copper (+), silver (-)
2m wire with connector	flat 2 x 0,75mm ² - 2m	transparent	copper (+), silver (-)

Wires between strips	Type	Isolation colour	Wires signatures
0,5m wire with connector and socket	flat 2 x 0,75mm ² - 0,5m	transparent	copper (+), silver (-)
1m wire with connector and socket	flat 2 x 0,75mm ² - 1m	transparent	copper (+), silver (-)
2m wire with connector and socket	flat 2 x 0,75mm ² - 2m	transparent	copper (+), silver (-)

Montage tape	Type	Dimension (length x width)	Delivery way
Tape for LED strips 45cm	thermally conductive 0,19mm	45cm x 10mm	already montaged on strips
Tape for LED strips 10mb	thermally conductive 0,19mm	10m x 10mm	delivery in roll

When placing an order please write:

1. Name and surname of orderer,
2. Company name,
3. Company Tax Identification Number,
4. Address of company or private address for individual customers,
5. City and post code,
6. Index of elements: number of elements, product code.

Welcome to contact us and place orders.

Phone: +48 71 79 85 785

www.lediko.com

Notice: "LEDIKO Walendowski i Wilanowski" Sp.J. stipulate the information in this document is subject to change without notice.