



ETG Inc.

2nd Fl., 6000, Venice Blvd., Los Angeles, Ca 90034, U. S. A.

Phone: + 1 (323) 9375463

Fax: +1 (323) 9375133

<http://www.etgtech.com/>

E-Mail: sales@etgtech.com

Preliminary

ETG-5IRH940-20

QC :

ENG :

Prepared By:

Part No.	ETG-5IRH940-20	Spec No.	N/A	Page	of
----------	----------------	----------	-----	------	----

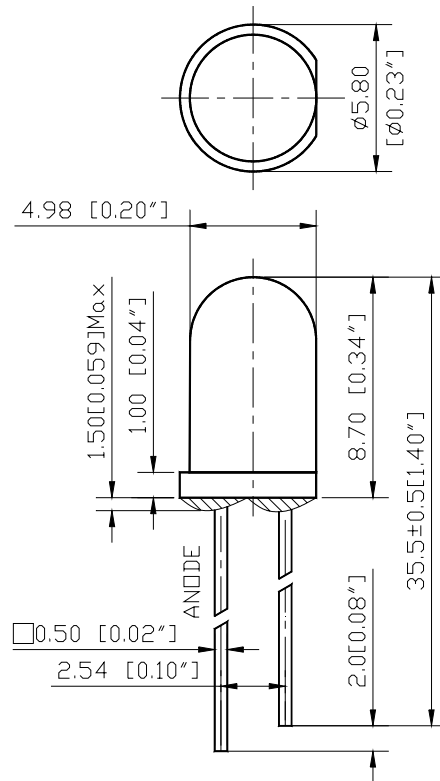


ETG Inc.
 2nd Fl., 6000, Venice Blvd., Los Angeles, Ca 90034, U. S. A.
 Phone: + 1 (323) 9375463 Fax: +1 (323) 9375133
<http://www.etgtech.com/> EMail: sales@etgtech.com

Features:

- ◆
- ◆
- ◆
- ◆

Package Dimensions:



Notes:

±

- 5.
- 6.

Part No.	ETG-51RH940-20	Spec No.	N/A	Page	of
----------	----------------	----------	-----	------	----

**ETG Inc.**2nd Fl., 6000, Venice Blvd., Los Angeles, Ca 90034, U. S. A.

Phone: + 1 (323) 9375463

Fax: +1 (323) 9375133

<http://www.etgtech.com/>EMail: sales@etgtech.com**Absolute Maximum Ratings at Ta=25**

Parameter		Unit
Power Dissipation	85	mW
Peak Forward Current (1/10 Duty Cycle, 0.1ms Pulse Width)	1	A
Continuous Forward Current	50	mA
Reverse Voltage	5	V
Operating Temperature Range	-40 to +80	
Storage Temperature Range	-40 to +80	
Lead Soldering Temperature [4mm(.157) From Body]	260 for 5 Seconds	

Electrical Optical Characteristics at Ta=25

Parameter	Symbol	Min.	Typ.	Max.	Unit	Test Condition
Radiant intensity	I _e				<i>mW/sr</i>	I _f =20mA (Note 1)
Viewing Angle	2 1/2		20		Deg	(Note 2)
Peak Emission Wavelength	λ		935		nm	I _f =20mA
Spectral Line Half-Width			50		nm	I _f =20mA
Forward Voltage	V _f		1.2	1.7	V	I _f =20mA
Reverse Current	I _R	---	---	10	A	V _R =5V

Notes:

Part No.	ETG-51RH940-20	Spec No.	N/A	Page	of
----------	----------------	----------	-----	------	----



ETG Inc.

2nd Fl., 6000, Venice Blvd., Los Angeles, Ca 90034, U. S. A.

Phone: + 1 (323) 9375463

Fax: +1 (323) 9375133

<http://www.etgtech.com/>

E-Mail: sales@etgtech.com

Part No.	ETG-5IRH940-20	Spec No.	N/A	Page	of
----------	----------------	----------	-----	------	----



ETG Inc.
 2nd Fl., 6000, Venice Blvd., Los Angeles, Ca 90034, U. S. A.
 Phone: + 1 (323) 9375463 Fax: +1 (323) 9375133
<http://www.etgtech.com/> EMail: sales@etgtech.com

Test items and results of reliability				
Type	Test Item	Test Conditions		
Environmental Sequence		↑↓		
		↑↓		
		⇔		
Operation Sequence				